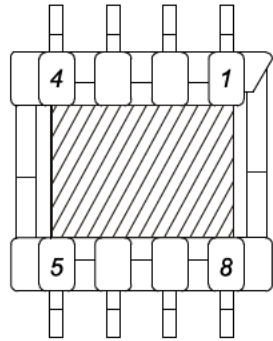
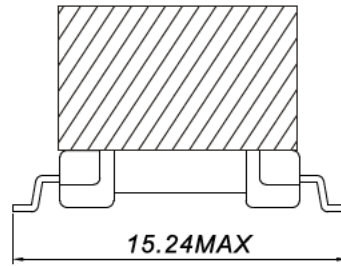
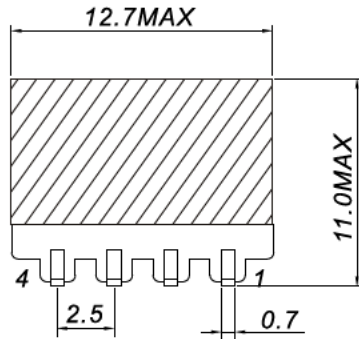
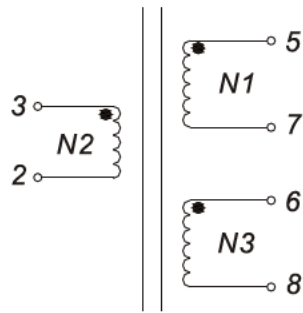


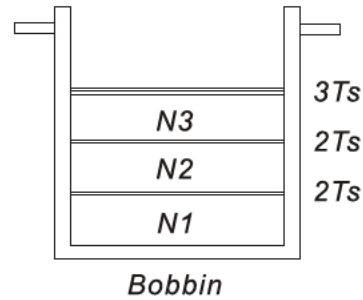
PHYSICAL CHARACTERISTICS(mm)



SCHEMATIC:



WINDING CONSTRUCTION:



Rev.	Description	Date
A0	New release	2020.03.24

WINDING

WDG	TERMINAL	WIRE SIZE	TURNS	TAPE	REMARKS
N1	5-7	φ0.23mm*1P 2UEW-F	15Ts	2Ts	
N2	3-2	φ0.3mm*1P 2UEW-F	15Ts	2Ts	
N3	6-8	φ0.23mm*1P 2UEW-F	15Ts	3Ts	

ELECTRONICAL SPECIFICATIONS

NO.	ITEM	MEASURED POINT	TECHNICAL DATA	TEST CONDITION & INSTRUMENT
1	Inductance	L (3-2)	40.0uH±10%	400KHz 0.4V
2	LK	L (3-2)	0.37uH Max	400KHz 0.4V, Short 5.6.7.8
3	DCR	3-2	98mΩ Max	CH502AC
		5-7=6-8	156mΩ Max	
4	HI-POT	Pri to Sec	1500Vac ,5mA,60S	CH9052/50Hz
		Coil to Coil	500Vac ,5mA,60S	

MATERIAL LIST:

NO.	ITEM	MATERIALS	RATING	FILE NO	SUPPLIERS
1	BOBBIN	PHENOLIC T375J UL RATING:94V-0	130°C	E59481(S)	CHANGCHUN PLASTICS CO.,LTD
2	CORE	TP4	---	---	TDG
	EP10				
3	WIRE	2UEW-F	155°C	E201757	PACIFIC ELECTRIC WIRE&CABLE CO.LTD
4	TAPE	PZ-280	130°C	E165111	JINGJIANG YAHUA PRESSURE SENSITIVE GLUE CO., LTD.
5	VARNISH	T4260A	105°C	E228349	WU JIANG TAIHU INSULATING MATERIAL CO LTD

TOLERANCE		
SCALE	UNIT mm	
DRAW Walter	DATE 3.24.2020	TITLE SM TRA EL10
CHECK Vanda	REV	DESCRIPTION Flyback Transformers